



URSUS™

SPECIAL NEEDS STROLLER



USER MANUAL

Our passion - your independence!

AKCESMED[®]



CAUTION! Manufacturer takes responsibility for proper usage of the device only when the product was purchased from qualified Akces-Med employee or at specialized medical store!

CAUTION! AKCES-MED Ltd. reserve the right to introduce technical and trading changes in the content of the instruction without warning.

Medical product first class according to the Regulation 93/42/EWG of European Parliament and Council regarding medical products. For this product the producer issued relevant declaration of conformity.

Akces-Med Sp. z o.o. Company introduced quality management system ISO 13485 regarding production, sales and service. The system is certified by Det Norske Veritas.





CONTENTS

- 1.The purpose of instruction manual6
- 2. Indications for use6
- 3. General characteristics of stroller.....7
 - 3.1. Standard equipment.....7
 - 3.2. Additional equipment.....8
- 4. Size table.....11
- 5.Description how to assemble stroller.....12
- 6.Detailed description how to use stroller.....13
 - 6.1 How to fold stroller13
 - 6.2 How to unfold stroller15
 - 6.3 Brake, front wheel lock15
 - 6.4 Footrest16
 - 6.5 Seat18
 - 6.6 Pelvic and chest pelottes22
 - 6.7 Head support23
 - 6.8 Backrest23
 - 6.9 Adjustable handle24
 - 6.10 Safety rail24
 - 6.11 5 points belts.....25
 - 6.12 Air pressure in tyres.....26
 - 6.13 Wrench cover.....26
- 7. Assembly of elements from additional equipment.....27
 - 7.1 **USS_503, USS_504, USS_502** Lady's bag, Men's bag, DeLux bag.....27
 - 7.2 **USS_128** Abduction block27
 - 7.3 **USS_126** Trunk belt.....27
 - 7.4 **USS_134, USS_137** Narrowing pads 6 cm and 10 cm.....28
 - 7.5 **USS_505** Basket under seat28
 - 7.6 **USS_402** Sun umbrella.....29
 - 7.7 **USS_411** Cup holder.....29
 - 7.8 **USS_405** Canopy without side covers.....30
 - 7.9 **USS_420** Canopy with side covers.....33
 - 7.10 **USS_114** H Harness.....33
 - 7.11 **USS_125** 6 points harness.....35
 - 7.12 **USS_403** Tray.....36
 - 7.13 **USS_408** Rain cover.....37
 - 7.14 **USS_130** 4 points safety vest.....37





8. The use of stroller.....38
 8.1. Preparation of patient.....38
 8.2. How to use stroller.....39
9. Safety rules.....40
10. Maintenance and cleaning.....43
11. Labelling.....45





INTRODUCTION

Special needs rehabilitation stroller was created for transport and daily rehabilitation. The stroller is for patients with illnesses which make independent sitting and standing difficult or impossible. (It refers to triplegia, paresis and serious paraplegia).

Taking sitting position by someone who is disabled from birth is highly important stage of complex rehabilitation process. Sitting position precedes taking an upright position. What is more, it has a significant influence on psychomotor development of the child. The fact that the patient can be safely transported is beneficial not only for patients but also for his/her care person. Proper use of safety wedges, belts and pelottes makes it possible to have correct upright standing, even in case of patients with flaccid paralysis. It prevents contractures as well as further deformations. Regarding stroller, it is designed to be used indoors and outdoors.

Remember to read this user manual carefully. You will find not only useful information but also guidelines regarding safe and effective use of the product.

If you have any questions or remarks, do not hesitate to contact with us:

Medical consultant: mobile +48 508 382 509

Akces-MED Sp. z o.o.: ph. +48 17 864 04 77

e-mail: export@akces-med.com

Thank you for purchasing our product.



CAUTION! Before using the product, user is obliged to familiarize himself/herself with user manual. Remember that complying with guidelines is highly important. It assures safety and extends durability as well as aesthetics of the device.





1 THE PURPOSE OF USER MANUAL

The present user manual contains basic information which is essential for proper usage, preparation, maintenance, cleaning and guarantee conditions regarding **URSUS™** stroller.

User manual should be kept in easily accessible place. It is designed for people who look after disabled children, and for both doctors as well as physiotherapists who operate the device.



CAUTION! Before using the product, user is obliged to familiarize himself/herself with user manual.

Remember that complying with guidelines is highly important. It assures safety and extends durability as well as aesthetics of the device

2 INDICATIONS FOR USE

The device is recommended for people in the following cases:

- Cerebral palsy – various types and forms.
- Brain and spinal cord injuries with lower limbs paralysis and weakness, balance and motor coordination disorders with different etiology.
- Demyelinating disease (e.g. multiple sclerosis - SM).
- Meningocele.
- Muscles diseases with weakness and paralysis (dystrophy, myasthenia gravis, myositis).
- Genetic disorders.
- Degeneration and neurological diseases.
- Other condition connected with muscles weakness, paralysis and musculoskeletal disorders.
- After head and spinal cord injuries and spine trauma with paralysis and paresis.





3 GENERAL CHARACTERISTICS OF STROLLER

3.1 Standard equipment

- | | |
|--|--|
| 1. Adjustable handle edged with leather | 10. Cover for folding mechanism |
| 2. Adjustable backrest | 11. Rear wheels equipped with inflatable TT tyres. |
| 3. Adjustable, removable seat | 12. Brakes for rear wheels |
| 4. Head support equipped with width adjustment | 13. Front PU swivel with direction blockade |
| 5. 5 points belts | 14. Front shock absorbers |
| 6. Adjustable side pelottes | 15. Pump |
| 7. Safety rail | 16. Stroller frame |
| 8. Footplate with 5 points feet stabilizing belts equipped with heel support | 17. Adjustable pelvic pelottes |
| 9. Soft upholstery with spine load reducing and ventilating function | |

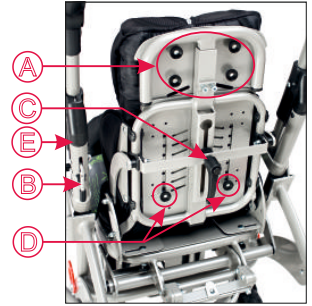


16. Stroller frame



Regulating knobs situated at the back of stroller:

- A. Knobs for adjustment of headrests
- B. Lever for adjustment of tilting function
- C. Knobs for adjustment of backrest tilt angle
- D. Knobs for adjustment of backrest height
- E. Elements of folding mechanism



3.2. Additional equipment

 <p>USS_001</p> <p>LED Lights</p>	 <p>USS_002</p> <p>Aid for moving patients AM-P</p>	 <p>USS_003</p> <p>Soft cover for tray</p>
 <p>USS_004</p> <p>Low head supporting panels</p>	 <p>USS_101</p> <p>Thigh abduction belts</p>	 <p>USS_107</p> <p>Pelvic belt</p>
 <p>USS_113</p> <p>Trunk stabilizing belt</p>	 <p>USS_114</p> <p>H Harness</p>	 <p>USS_121</p> <p>Head-neck support</p>
 <p>USS_124</p> <p>Loins support</p>	 <p>USS_125</p> <p>6 points safety vest</p>	 <p>USS_126</p> <p>Trunk belt</p>



USS_128

Abduction block



USS_130

4 points safety vest



USS_131

Firm headrest made of foam



USS_134

Narrowing pads (set) 6 cm



USS_137

Narrowing pads (set) 10 cm



USS_127

Side supports



USS_127

Back cushion Bodymap B



USS_310
USS_314

Cover frotte



USS_311
USS_315

Cover VisMemo



USS_312
USS_316

Aerating-massaging pad



USS_309

Seat cushion Bodymap B



USS_403

Tray



USS_405

USS_405 Folding canopy



USS_408

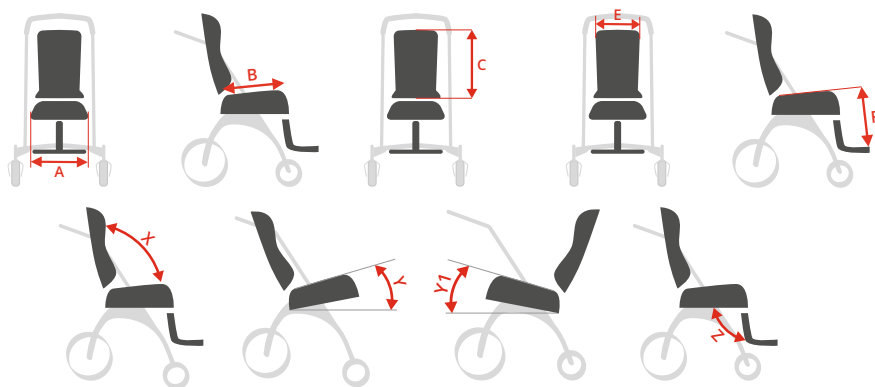
USS_408 Rain cover



USS_409

USS_409 Mosquito net



**4 SIZE TABLE**

Symbol	Measurement	Unit	Size 1	Size 2	Size 3
A	Seat width	[cm]	19-25	22-30	24-34
B	Seat depth	[cm]	21-26	27-35	34-42
C	Backrest height	[cm]	44-55	49-59	55-67
E	Backrest width	[cm]	23	27	32
F	Footrests length	[cm]	13-29	16-40	16-43
	Footplate length	[cm]	20	20	20
	Push handle height	[cm]	100	100	100
X	Backrest tilt angle	[°]	90-180	90-180	90-180
Y	Seat tilt angle (stroller that is placed forwards)	[°]	3-20	3-25	3-30
Y1	Seat tilt angle (stroller that is placed backwards)	[°]	3-22	3-17	3-20
Z	Footrests tilt angle	[°]	90-180	90-180	90-180
	Maximum user weight	[kg]	35	35	50

Weight and dimensions of the device		Size 1	Size 2	Size 3
Width	[cm]	59	66	67
After folding width	[cm]	59	66	67
Length	[cm]	90	90	90
After folding length	[cm]	90	90	92
Height	[cm]	100	100	100
After folding height	[cm]	45	48	53
Weight	[kg]	19,5	21	22,5

Note: Dimensional tolerance in the table is +1/-1 cm.





5 DESCRIPTION HOW TO ASSEMBLE STROLLER

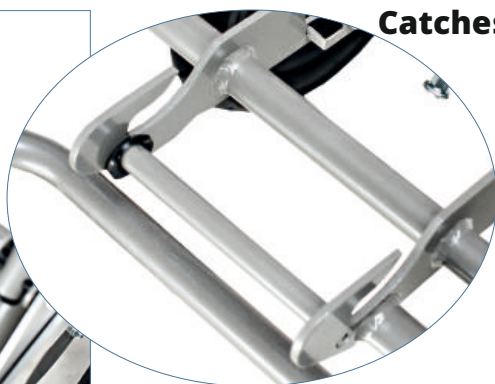
Remember that stroller needs to be assembled. Manufacturer cannot assemble this stroller due to transportation issues. We will give you stroller which needs to be mounted. It consists of 2 parts: frame (16) and seat (3). In order to use the stroller please follow these steps:

STEP 1. Activate brakes (12) (**look point 6.3.1, page 15**);

STEP 2. Place seat (3) on stroller frame (16) in a way that front seat's mounting bar (fig.2) (in case when stroller is placed backwards fig.4) or back seat's mounting bar (fig.2) (in case when stroller is placed forwards - fig.3) is placed in catches situated on stroller frame (fig.1). Next, it is necessary to press firmly seat until front or back mounting bar will make a sound "click";



fig.1



Catches



fig.2

Back seat mounting bar

Front seat mounting bar



CAUTION! If you hear a “click”, it means that seat is correctly mounted. In order to check if seat is placed in a correct place, raise it upwards.



Stroller that is placed forwards



Stroller that is placed backwards

6 DETAILED DESCRIPTION HOW TO USE STROLLER

6.1. How to unfold stroller

Ursus stroller can be folded irrespective of whether seat is placed forwards or backwards. It is also possible to fold only frame but before it is necessary to remove seat (look point 6.5). It is recommended to fold stroller when seat is placed forwards

In order to fold stroller it is important to :

STEP 1. Remove rail (7) (**look point 6.10.1, page 24**), activate brakes (12) (**look point 6.3.1, page 15**), fold footplate (8) (**look point 6.4.2, page 16**);





STEP 2. Put backrest (2) as forwards as possible (the adjustment of backrest tilt angle - look point 6.8.2, page 23);

STEP 3. Stand behind stroller and pull upwards elements of folding mechanism which are situated on both sides of stroller frame until they are completely pulled out (fig.5);

STEP 4. At the same time: Push stroller handle forwards until stroller is completely folded (fig.6). Picture 7 shows how stroller should be folded (fig.7).



fig.5



fig.7



fig.6



CAUTION! Folding mechanism is situated under the cover which should be removed or moved upwards as much as possible.

CAUTION! Neither anyone nor anything can be placed on stroller While performing all this activities!





6.2. How to unfold the stroller

(perform all activities from point 5.1 the other way around)

In order to unfold stroller it is necessary to pull handle backwards until all side elements from front are blocked and stroller is completely unfolded (fig.8)



CAUTION! Make sure that all elements from folding mechanism overlap stroller frame and are completely blocked.

6.3. Brake, front wheel lock

6.3.1. There is a possibility to activate break (12). Press break lever (fig.9). Each wheel can be blocked independently. Brakes are painted red.

6.3.2. Stroller is equipped with front PU swivel with direction blockade (13). It is possible to activate direction blockade : pull catch and turn it in a way that the mandrel of catch is pulled out (fig.10).

Make sure that front wheels are seat towards the back of the stroller (look fig.8).





6.4. Footrest (8)

6.4.1. **The adjustment of the footrest** should be performed with the aid of selector lever. Please follow these steps so as to adjust the footrest:

STEP 1. Turn the lever anti-clockwise (fig. 11);



fig.11

STEP 2. Adjust the tilt angle of the footrest at your discretion and tighten firmly the lever. Turn the lever clockwise as long as needed (fig. 12);



fig.12

6.4.2. Please follow these steps if it is necessary to change the tilt angle of footrest's plate:

STEP1. Loosen the fastening screws as well as strip situated under the footrest's place (fig.13);



fig.13





STEP 2. Adjust the tilt angle of the footrest at your discretion

STEP 3. Lower the strip downwards as much as possible (fig.14) and then tighten firmly two fastening screws (fig.15);



STEP 4. Fasten the belt by means of Velcro tape that is situated under the footrest's plate (fig.16).



6.4.2. It is possible to adjust the height of the footrest, please use Allen key so as to adjust it. Loosen two screws situated at the back of the footrest (fig. 17), adjust the height at your discretion and remember to tighten firmly the screws (fig. 18).





6.4.3. Footrest is equipped with foot stabilizing belts which should be fastened criss crossed with the aid of Velcro tapes. It is possible to adjust the length of belts (fig.19,20).



CAUTION! Once the adjustment of tilt angle is done, it is necessary to tighten adjustable lever and screws which regulate the height of footrest.

6.5. Seat (3)

Seat can be adjusted according to patient's needs. There are two possible ways: according to direction of stroller (fig.21) or the other way around, when



Stroller that is placed forwards



Stroller that is placed backwards





6.5.1. Follow these steps so as to rearrange seat:

STEP 1. Block brakes (12) (**look point 6.3.1, page 15**);

STEP 2. Adjust the footrest angle in parallel with the seat (**look point 6.4.1, page 16**);

STEP 3. Pull the mandrel of catch that is situated under seat (fig.23) and at the same time pull handle that releases seat (fig.24). Next, push seat forwards (fig.25) thanks to which seat is released from catches;



fig.23

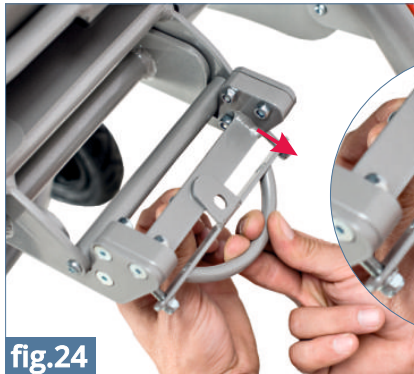
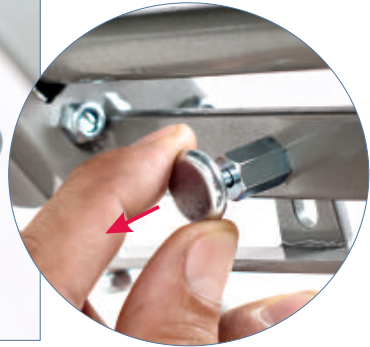


fig.24

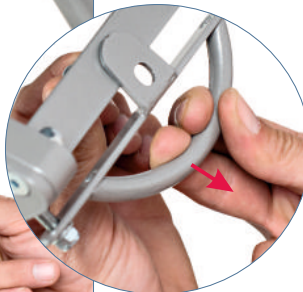


fig.25





STEP 4. Move seat upwards and turn it (fig.26);

STEP 5. Place seat on stroller frame in a way that back seat's mounting bar (fig.28) (in case when stroller is placed backwards) or front seat's mounting bar (fig.28) (in case when stroller is placed forwards - fig.21) is placed in catches situated on stroller frame (fig.27). Next, it is necessary to press firmly seat until front or back mounting bar will make a sound "click".



fig.26



fig.27

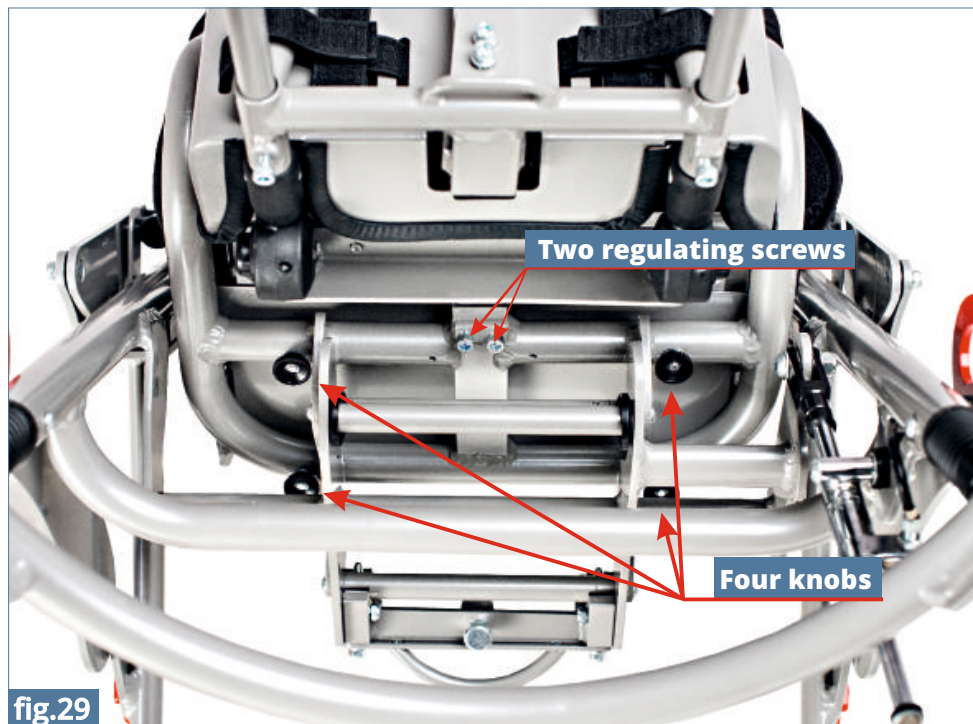


fig.28

CAUTION! If you hear a "click", it means that seat is correctly mounted. In order to check if seat is placed in a correct place, raise it upwards.



6.5.2. It is possible to adjust the depth of seat: loosen two regulating screws and four knobs that are placed under seat. Adjust the depth at your discretion and tighten screws as well as knobs (fig.29).



6.5.3. Tilt-in-space adjustment

In order to adjust seat in tilt-in-space adjustment it is important to pull level upwards and simultaneously push seat forwards so as to adjust it at your discretion (fig.30); lever is situated at the frame of stroller. Next, release lever so as to block seat. **It is recommended to adjust seat in tilt-in-space min.3° before you start using the wheelchair.**





fig.31



fig.32

Maximum and minimum seat's tilt angle

6.6. Pelvic (17) and chest (6) pelottes

6.6.1. Backrest and seat are equipped with side pelottes which make it possible for patient to maintain correct posture. In order to adjust the arrangement of pelvic pelottes it is necessary to loosen two knobs situated under seat, adjust pelottes at patient's discretion and then tighten firmly knobs (fig.33).

6.6.2. As far as chest pelottes are concerned, it is possible to adjust their tilt angle. Chest pelottes are placed on frame with the aid of plastic handles. Side pelottes can be dismantled if necessary. If you wish to dismantle them, it is necessary to pull pelottes (fig.34)



fig.33



fig.34





6.7. Head support (4)

6.7.1. Regarding head support, it is possible to adjust the arrangement of pelottes which makes it possible for patient to keep head in a correct position. Loosen knobs situated at the back of head support, adjust the arrangement of pelottes according to patient's needs and tighten knobs (fig.35)



6.8. Backrest (2)

6.8.1. Regarding head support, it is possible to adjust the arrangement of pelottes which makes it possible for patient to keep head in a correct position. Loosen knobs situated at the back of head support, adjust the arrangement of pelottes according to patient's needs and tighten knobs (fig.35).

6.8.2. It is also possible to adjust the tilt angle of backrest. In order to adjust it, loosen knobs that regulates backrest's tilt angle (this knob is situated behind backrest) and turn it anticlockwise (fig.37). Next, adjust backrest at your discretion and tighten fastening element clockwise.





6.9. Adjustable handle (1)

6.9.1. Press simultaneously two buttons on both sides of handle (fig.38) so as to adjust the handle position. Next, release buttons so as to block handle at chosen height.



fig.38

6.10. Safety rail (7)

6.10.1 Stroller is equipped with safety rail thanks to which patient do not fell out. It is possible to dismantle this rail by pressing two buttons situated on rail's frame and pulling rail upwards (fig.39)



fig.39



CAUTION! After disassemble of the safety barrier, the special caps attached to the stroller equipment should be imposed in place of the safety barrier. Failure to comply with this instruction may result in an injury.





6.11 5 points belts (5)

Stroller is equipped with 5 points belts which stabilize the patient and protect him/her from falling. Connect fastenings situated on vest's belts (fig.41) and insert them into clip from seat (fig.42) so as to fasten the belts . In order to undo vest it is necessary to press red button from clip and then take out fastenings.



fig.40



fig.41



fig.42





CAUTION! Once 5 points belts are fastened, it is necessary pull them so as to check if:

- buckles do not become undone due to the pressure
- buckles do not move due to incorrect assembly
- buckles do not slide out of the fastening

6.12. Air pressure in tyres

It is highly important to maintain proper air pressure in front and back tyres.



CAUTION! The recommended air pressure is 1,5 Bar. You should always adhere to the recommended air pressure. Too low or too big air pressure in the tires may damage the stroller or cause an accident.

6.13 Wrench cover

When it comes to standard equipment, stroller is equipped with Allen wrench which is used for screw adjustment. Allen wrench is placed in special pocket at the upper part of backrest (fig.43)



fig.43





7 ASSEMBLY OF ADDITIONAL EQUIPMENT

7.1 **REF USS_502 DeLux Bag**

REF USS_503 Lady's bag

REF USS_504 Men's bag

Bags are very capacious and have a lot of useful pockets. There is possibility to attach them to the stroller or worn them on the arm thanks to the long adjustable belt.



fig.44



fig.45



fig.46

7.2 **REF USS_128 Abduction Block**

Abduction Block is fastened to seat by means of knob.



fig.47

7.3 **REF USS_126 Trunk belt**

Trunk belt is mounted by means of Velcro tapes which are placed behind backrest(fig.48). **Trunk belt can be used only when patient is wearing vest!**

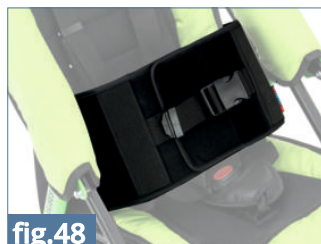


fig.48



7.4 **REF USS_134** **Seat narrowing cushions 6 cm**

REF USS_137 **Seat narrowing cushions 10 cm**

Seat narrowing cushions 6 cm and 10 cm help to adjust the seat width to the patient dimensions. Their attachment is possible thanks to the Velcro straps placed on the stroller upholstery (pic.48). Cushions narrow the seat by 6 cm (USS_134 – pic.50) and 10 cm (USS_137 – pic.51.)



fig.49



fig.50

7.5 **REF USS_505** **Basket under seat**

Basket (fig.51) is mounted on frame under seat with the aid of belts with buttons (fig. 52, 53).



fig.51



fig.52



fig.53





7.6 **REF USS_402 Sun umbrella**

So as to mount sun umbrella (fig.54) it is necessary to loosen clip and place it on handle's frame. Next, adjust proper position and tighten knob (fig.55). The adjustment of sun umbrella can be regulated with the aid of button which is situated next to clip (fig.56).



fig.54



fig.55



fig.56

7.7 **REF USS_411 Cup holder**

So as to mount cup holder (fig.57) it is necessary to loosen clip and place it on handle's frame. Next, adjust proper position and tighten knob (fig.58). Cup can be mounted on frame in any place where handle's covers are applied.



fig.57



fig.58





7.8 **REF USS_405** Canopy without side covers

Please follow these steps so as to mount canopy:

STEP 1. Undo upholstery (fig.59) and put it on backrest in a way that backrest of stroller is visible.

STEP 2. Untighten two screws at backrest's frame on both sides of stroller (fig.60);

STEP 3. Tighten canopy's handle to holes from frame with the aid of screws which were untightened before. Picture shows how screws should be untightened (fig.61)



STEP 4. Put upholstery and do up zipper;

STEP 5. Undo zipper situated at the back of canopy;

STEP 6. Insert canopy's frames into two holes from backrest's upholstery (fig. 62) and fasten canopy into handles that were mounted in STEP 3 on backrest's frame (fig. 63, 64);





STEP 7. Do up zipper (fig. 65), unfold canopy (fig.66-68).





STEP 8. It is possible to adjust canopy (fig.69-71) by pulling canopy down towards seat.

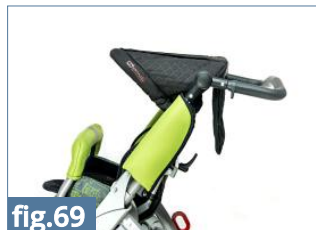


fig.69

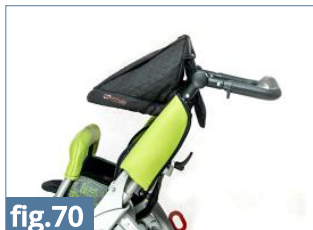


fig.70



fig.71

STEP 9. Canopy is equipped with small window thanks to which it is possible to observe child. Roll out cover, fasten it at canopy with the aid of catch so as to use this window (fig.72, 73).



fig.72

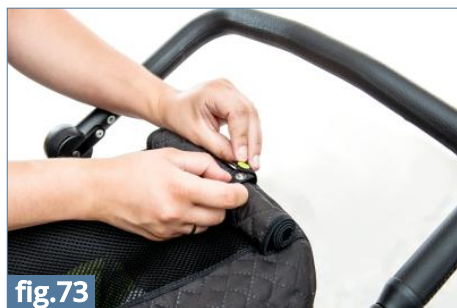


fig.73

STEP 10. Canopy has a pocket which is fastened by means of catch (fig.74).



fig.74





7.9 **REF USS_420** Canopy with side covers

Please follow these steps so as to mount canopy with side covers:

STEP 1. Mount canopy on stroller and follow instructions presented in point 7.8 (look point 7.8, Canopy without side covers USS_405, page 30-32),

STEP 2. Side covers should be pulled under footrest so as that elastic belt from covers is situated under the seat (fig. 75);

STEP 3. Side covers are fastened to canopy with the aid of Velcro tapes (fig. 76);

STEP 4. It is possible to roll outer covers so as to leave only airy netting. If you wish to have this netting, please unfasten fastener that is placed at the bottom of cover (fig.77). Next, roll outer cover (fig.78) and fasten it by canopy



fig.75



fig.76



fig.77



fig.78



7.10 REF USS_114 H Harness

Please follow these steps so as to mount H harness:

STEP 1. Dismantle standard 5 points belts.

STEP 2. Upper belts from H harness should be inserted into grooves from H harness should be inserted into grooves from stroller's backrest (fig.79) and then insert them into clasps from backrest's back (fig.80) . Clasps should be firmly tightened on belts (fig.81).



fig.79



fig.80

Lower belts from H harness should be pulled through backrest and inserted into clasps (fig.82). Clasps should be firmly tightened on belts.



fig.81



fig.82

STEP 3. Vest is fastened by means of clamp which makes it possible to unfasten the patient quickly if necessary (fig.83). Vest is also equipped with grips situated by belts. These grips are used so as to adjust vest to patient's (fig.84).



fig.83



fig.84





7.11 **REF USS_114** 6 points harness

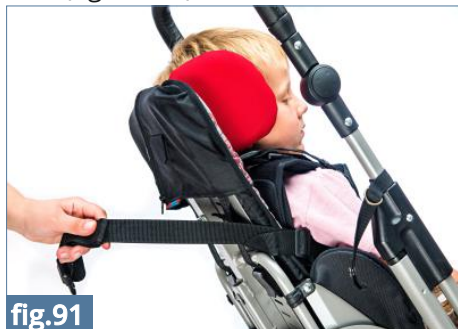
Please follow these steps so as to mount 6 points vest:

STEP 1. Put vest on the patient and then zip up both zipper and clamp situated at the front of the vest (fig.85-88); Adjust vest with the aid of Velcro tapes situated at the back of the vest (fig. 89, 90)

**fig.85****fig.86****fig.87****fig.88****fig.89****fig.90**

STEP 3. Mount vest on the stroller in the same way as H harness is mounted (look point 7.10, H harness, STEP 1-2, page 34);

STEP 4. Fasten vest to stroller with the aid of circumferential belt. This belt should be pulled behind stroller's backrest and fastened at the front of the vest (fig. 91-93)

**fig.91****fig.92**



7.12 REF USS_403 Tray

Please follow these steps so as to mount tray:

STEP 1. Dismantle safety rail (->look point 6.10, page 24);

STEP 2. Put tray in a place where safety rail was mounted. Remember that buttons placed on tray's pipe should be inserted into frame (fig. 94);



STEP 3. It is possible to adjust the tilt angle of tray's top. Loosen lever situated under the top and then turn it anticlockwise (fig. 95,96). If the tilt angle of tray's top is adjusted, remember to screw firmly lever and turn it clockwise





7.13 **REF USS_408** Rain cover

Rain cover (fig.98) should be situated in a place where either canopy without side covers (USS_405) or canopy with side covers (USS_420) were mounted before.

Please follow these steps so as to mount rain cover:

STEP 1. Put cover on canopy and stroller, including footrest (fig. 98, 99). It is really important to make sure that window in canopy is situated ahead of the patient



fig.97



fig.98



fig.99

7.14 **REF USS_130** 4 points safety vest

Please follow these steps so as to mount 4 points safety vest:

STEP 1. Mount vest on the stroller in the same way as H harness is mounted (**look point 7.10, H Harness, STEP 1-2, page 34**). Vest is equipped with grips situated by belts. These grips are used so as to adjust vest to patient's measurements



fig.100



8 THE USE OF STROLLER



CAUTION! **URSUS™** stroller has to be used with compliance to guidelines included in this user manual. Remember to use the product only with someone who is trained and knowledgeable. Do not forget to prepare both product as well as patient before using **URSUS™** chair!

8.1. Preparation of the patient

Before using the product, it is essential to make sure that:

- patient's outfit is light and comfortable sporty clothes are advisable;
- shoes should be comfortable and, moreover, they should stabilize ankle;
- due to hygienic reason and to avoid abrasion it is advisable for the patient to always wear clothes when using the device, skin must not be naked especially in places of regular contact with upholstery;
- drains, bags, catheters etc. if applied, have to be secured to function properly and not to disturb during using the product;
- if it is necessary for a patient to wear orthopedic supply (collar, corset, orthosis, shoes) if it is recommended by doctor.



CAUTION! Outfit should protect patient's skin from direct contact with upholstery as well as other parts of equipment.

CAUTION! Only doctor can make a decision concerning using any kind of orthopedic supply!





8.2. How to use positioning chair

1. Before use it is necessary to:
 - Unfold the device;
 - Place the device on even ground;
 - Make sure that all parts are serviceable, correctly mounted and stable;
 - Block brakes;
 - Adjust the device to patient's measurements;
 - Undo vest, trunk belts etc so as to place easily the patient in the device;
 - Place patient in the device;
 - Fasten all elements which stabilize patient e.g. vest, trunk belts, feet stabilizing belts etc.;
 - Mount additional equipment e.g. tray.
2. In case of patients who have problem with bladder, it is necessary to put special cloth on seat. This cloth can be purchased in pharmacy or medical shops.



CAUTION! Before the product is used, it is highly necessary to make sure that all belts as well as safety equipment are correctly fastened as well as adjusted. What is more, check if they do not become undone due to the pressure and, moreover, make sure that clampings from adjustable elements are firmly tightened!

Equipment works correctly only when the device is adjusted according to patient's height as well as weight. Remember to take all these measurements into account while purchasing the product. Correct adjustment is the most important due to the fact that only then the product is safe. It is forbidden to force child to keep specific position because he/she will feel uncomfortable and it may lead to wrong posture.





9 SAFETY RULES



CAUTION! URSUS™ stroller has to be used in compliance with guidelines in this user manual.

It is highly important to consult either doctor or physiotherapist in order to make right decision concerning the choice of stroller and its size. It is also essential to familiarize with the guidelines described in user manual before using the device.

1. Before use it is necessary to:

- make sure that there are no damages or different faults which could endanger patient's life; check if all parts are working and are correctly mounted and, moreover, check if they are not broken;
- check if all screws, knobs and all glued, sewed or tapped parts are tightened;
- check if brakes are operating correctly;
- check if buckles are operating correctly;
- always use safety belts, Velcro tapes should overlap min. 8cm;
- adjust the device according to patient's measurements and needs e.g. the adjustment of pelottes, footplate etc.;
- make sure that all movable parts and knobs for adjustments are stable and locked;
- secure patient with the aid of elements such as vest, foot stabilizing belts, pelottes, abduction block, headrest. It is highly important to secure patient because it safeguards him/her from falling out. If abduction contracture occurs, it is recommended to use abduction block in order to prevent ulcers between knees.





2. It is forbidden to use stroller for different purposes that it is intended to.
3. It is forbidden to use stroller when it is damaged or any part is missing.
4. It is forbidden to leave the patient unattended.
5. Stroller should be used only when there is someone who is trained and knowledgeable.
6. It is forbidden to leave stroller and the patient on unstable ground unattended, even if the brake is engaged.
7. It is forbidden to either go up or down the stairs; it doesn't matter if the patient is placed in the device or not.
8. It is important to engage brake during getting into and getting out the stroller.
9. Make sure that all limbs are not close to spokes or other adjustable elements.
10. Although the device and the upholstery are made of fire-resistant materials, please pay your attention when approaching to sources of fire or sources of high temperature during using the device. Moreover, stroller shouldn't be stored in rooms with high humidity.
11. Secure stroller during transportation in order to avoid any possible damages. Manufacturer doesn't take responsibility for damages which appeared due to improper preparation of the device during transportation.





CAUTION! It is forbidden to place the patient in the device while being in car, bus or train.

CAUTION! The product contains small parts which children may swallow.



CAUTION! It is forbidden to make any changes concerning stroller's structure due to the fact that it is dangerous and it results in losing warranty.

CAUTION! The weight of user should not be bigger than maximal weight described on page 11 where you will find information regarding this issue.

- 1) AKCES-MED Sp. z. o. o sells products free from manufacturing defects or faults.
- 2) Manufacturer gives the purchaser 24-month guarantee from the date of purchase. All defects revealed during warranty period will be repaired free of charge.
- 3) All defects which appear after warranty period can be repaired only when the user will pay for it. This rule doesn't apply to refunded products - user can ask National Health Refund for refund.
- 4) Manufacturer claims that the product can be used for 48 months. User can use this product after this period only when he/she will send the device to manufacturer so as to service it. Next, manufacturer determines again how long the product can be used and, moreover, the date of the next service will be determined.
- 5) If product is damaged, please contact our dealer or AKCES-MED customer service (ph. 17/864 04 70)





10 MAINTENANCE AND CLEANING

Stroller should be kept clean and used in compliance with the manufacturer's recommendations. The device should be kept in clean, dry and ventilated room. Maintenance as well as cleaning have to be performed at least once a month. Regular cleaning and maintenance of stroller are indispensable to maintain its correct functionality as well as safety.

It is highly advisable to remember about proper maintenance in order to extend product's aesthetics. So as to do that, it is essential to comply with these guidelines:

1. It is recommended to clean upholstery with the aid of cleaning product, soft sponge and warm water. If you use sponge which is too wet, stain may get bigger, upholstery may be destroyed. It is necessary to remember that the excess of dampness should be removed from fabric before next cleaning. Please rinse upholstery with warm water and clean white cloth once stain is removed.
2. It is forbidden to soak upholstery!
3. It is forbidden to clean upholstery with the aid of hard brushes.
4. It is forbidden to clean upholstery with strong chemical agents such as solvent or caustic chemicals.



CAUTION! Akces-MED. Sp z o. o takes no responsibility for damages caused by use of wrong clearing agent.

5. It is forbidden to soak upholstery during cleaning. Remember that upholstery has to be always dry before using.
6. It is forbidden to clean, make any changes and maintain wheelchair during using it.
7. All metal as well as plastic elements should be cleaned by hand with the aid of general cleaning products. Remember to familiarize yourself with cleaning product's leaflet.





CAUTION! Remember that upholstery has to be always dry before using!

Before using it is necessary to:

- clean wheels;
- check if base as well as wheels are correctly mounted; check if brake stops turning wheel;
- make sure that all wooden parts e.g. tray don't have splinters;
- check if wheelchair construction is free of breaks or any kinds of deformities;
- check if all movable parts are working and all screws, nuts, knobs etc. are correctly tightened;
- check if belts, vests, trunk belts, feet stabilizing belts etc are not frayed; check if buckles and clamps work correctly.



CAUTION! Manufacturer takes responsibility only for hidden faults or damages which appeared despite the fact that user complied with the guidelines.

CAUTION! In case of any damages, it is essential to contact the person who sold you the product.





11 LABELLING

11.1. Symbols

	Declaration that the product meets the essential requirements		Protect from sunlight
	Catalog number		Storage temperature limitation
	Serial number		Relative humidity storage
	Please read the manual instructions before use		Dry vertically
	Attention!		Do not chlorinate
	Producer		Do not iron
	Production date		Do not dry in a drum dryer
	The product does not contain		Do not bleach
	Store in a dry place		Careful! delicate content
	Prohibition of use without fastened safety belts		Prohibition to leave the patient without care during use of the product
			It is forbidden to either go up or down the stairs; it doesn't matter if the patient is placed in the device or not.

11.2. Example of identification plate

QR code - after scan you are directed to the website of the product

Producers address

Maximum allowable product loading

Serial number in the form of a bar code

Name of product in Polish

Name of product in English

Date of production

Labeling - look above

Serial number





ORTHOPAEDIC DEVICES MANUFACTURER

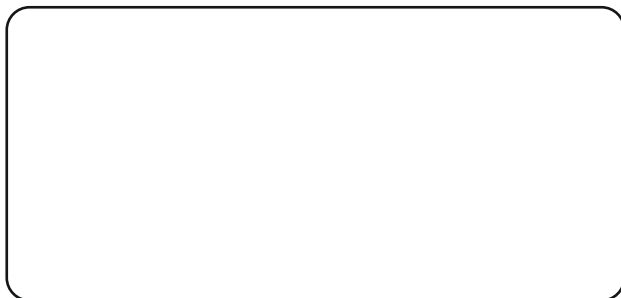


Akces-MED Sp. z o.o.
Jasionka 955B
36-002 Jasionka
tel. (17) 864 04 77

www.akces-med.com

e-mail: export@akces-med.com

Authorised Dealer



Date of issue: **25.11.2013**

The last update: **08.05.2017**

Our passion - your independence!