



User Manual

for all sport models

Quattro
Club Sport
Grandslam
Interceptor
Elite
Elite Signature



EN



SPORTS WHEELCHAIR MANUAL
Issue 14 - 2015

Need replacement parts? www.rgklife.com
Take advantage of our online pricing policy at

Thank you

for buying RGK...

We hope the product and service you have received has met your expectations. Please take time to read the instructions contained within, to familiarise yourself with your new RGK chair and to ensure you get maximum performance and longevity from it.



Russel Simms,
Commercial Director

WARNING!

Do not operate this equipment without first reading and understanding this manual. If you are unable to understand the warnings and instructions, contact a healthcare professional (doctor / therapist) before attempting to use this equipment - otherwise injury or damage may result.

NOTE:

Sport models are not to be used for daily use.

Contents

03	User Manual Contents
04	Special Notes
05	Safety Summary
07	Safety Inspection Checklist
08	Troubleshooting Guide Mechanical
09	Maintenance
10	Procedure 1 Adjusting/Replacing Back Upholstery
11	Procedure 2 Seat Cushion/Seat Upholstery Replacement
12	Procedure 3 Adjusting the Quick-Release Axle
13	Procedure 4 Replacing the Hand Rim; Repairing/Replacing Rear Wheel, Tyre/Tube
14	Procedure 5 Adjusting and Replacing The Camber Bar
15	Procedure 6 Replacing Front Fork Assembly & Castors Wheels
16	Procedure 7 Adjusting the footrest height / angle, and replacing the footrest.
17	Procedure 8 Adjusting the Anti-Tipper
18	Warranty

Special Notes

The manual must be read thoroughly to avoid damage when handling and using your RGK Wheelchair.

► Definitions of words used in this manual

△ DANGER

Advice to the user of a Potential Risk of serious injury or death if the advice is not followed.

△ WARNING

Advice to the user of a Potential Risk of injury if the advice is not followed.

△ CAUTION

Advice to user that Potential Damage to equipment may occur if the advice is not followed.

► NOTE:

General advice or best practice

► NOTE:

Sport models are not to be used for daily use.

► Wheelchair Selection

As a manufacturer of wheelchairs, RGK endeavours to supply a wide variety of wheelchairs to meet many needs of the end user. However, final selection of the type of wheelchair to be used by an individual rests solely with the user and his/her health care professional capable of making such a selection.

DO NOT use the footplate as a platform when getting in or out of the wheelchair.

Always wear your seat restraint, if recommended.

The wheelchair shown and described in this user guide may not correspond in every detail exactly to your own model and accessories.

However, all instructions are completely relevant, regardless of additions that you may have added at the time of order

The expected life of your RGK wheelchair is 2 years of normal use by a single user. The expected life of your wheelchair is above all dependent on the user's disability and the maintenance of the wheelchair. Different users may experience both a shorter and a longer service life for their wheelchair than those stated above.

Please DO NOT use or fit any third party components to the wheelchair unless they are officially approved by RGK Wheelchairs Ltd.

► Tyre pressure

DO NOT use your wheelchair unless it has the proper tyre pressure (P.S.I).

DO NOT over inflate the tyres. Failure to follow these suggestions may cause the tyre to explode and cause bodily harm.

► NOTE:

The information contained in this document is subject to change without notice.

Safety Summary

► Weight Training

RGK DOES NOT recommend the use of its wheelchairs as a weight training apparatus. RGK products have NOT been designed or tested as a seat for any kind of weight training. If occupant uses said wheelchair as a weight training apparatus, RGK shall NOT be liable for bodily injury and the warranty will be voided immediately.

► Stability and Balance

To assure stability and proper operation of your wheelchair, you must at all times maintain proper balance. Your wheelchair has been designed to remain upright and stable during normal daily activities as long as you do not move beyond the centre of gravity.

Virtually all activities which involve movement in the chair have an effect on the centre of gravity.

▲ WARNING

The position of the footrest, camber tube, height, as well as the tautness of the back upholstery are directly related to the chairs stability. Any change to one or any combination of the three may cause the chair to decrease in stability. Use EXTREME caution when using a new seating position for the first time.

⚠ WARNING

Any change in axle position can affect your centre of gravity and stability.

► Lengthening and shortening the wheelbase

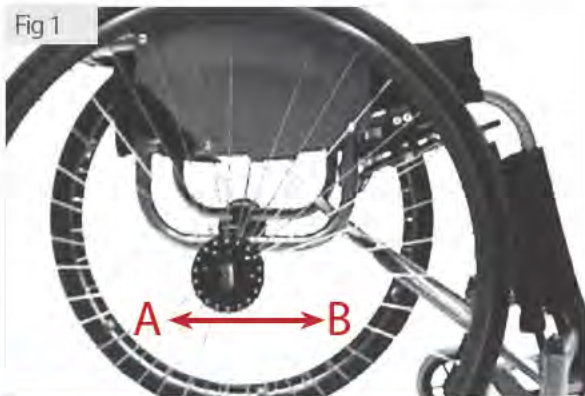
Lengthening the wheelbase will increase the stability and maintain standard manoeuvrability of the chair.

Shortening the wheelbase will increase the manoeuvrability and distribute additional weight onto the rear wheels.

To lengthen the wheelbase move Camber Bar toward the rear of the frame. See Fig 1.

To shorten the Wheelbase move the Camber Bar toward the front of the frame. See Fig 1.

Fig 1



A = Rearward / Lengthen B = Forward / Shorten

► Manoeuvring your RGK wheelchair**⚠ WARNING**

BEFORE attempting to manoeuvre your new wheelchair it is important to practice and master these techniques until you are comfortable and competent.

⚠ WARNING

During operation, handrims can get hot when being used to slow down. Extra caution is to be used when going downhill.

⚠ WARNING

Manoeuvring across a slope may affect the stability of the wheelchair. Use extreme caution on slopes.

Safety Inspection Checklist

► **NOTE:** Regular cleaning will reveal loose or worn parts and enhance the smooth operation of your wheelchair. To operate properly and safely, your wheelchair must be cared for just like any other vehicle. Routine maintenance will extend the life and efficiency of your wheelchair. Initial adjustments should be made to suit your personal body structure and preference. Thereafter follow these maintenance procedures.

Item	Initially	Inspect / Adjust Weekly	Inspect / Adjust Monthly	Inspect / Adjust Yearly
<p>► General</p> <ul style="list-style-type: none"> Wheelchair rolls straight (no excessive drag or pull to one side). Frame - Inspect frame for cracks and damage Fasteners - Inspect all fasteners are secured 	✓		✓	✓
<p>► Seat and Back Upholstery</p> <ul style="list-style-type: none"> Inspect for rips or sagging. Inspect fastening flaps to ensure they securely latch 	✓ ✓		✓	✓
<p>► Rear Wheels</p> <ul style="list-style-type: none"> Adjustable Axle Position Camber Bar is securely tightened. Quick/Quad release axles lock properly No excessive side movement or binding when lifted and spun. 	✓ ✓ ✓	✓	✓	✓ ✓
<p>► Handrims</p> <ul style="list-style-type: none"> Inspect for signs of rough edges or peeling. 	✓			✓
<p>► Spokes</p> <ul style="list-style-type: none"> Inspect for bent or broken spokes. All spokes uniformly tight. 	✓ ✓		✓ ✓	
<p>► Front Castor</p> <ul style="list-style-type: none"> Inspect wheel/fork assembly for proper tension by spinning castor; castor should come to gradual stop. Loosen / tighten locknut if wheel wobbles noticeably or binds to a stop. Wheel bearings are clean and free of moisture. <p>CAUTION: As with any vehicle, the wheels and tyres should be checked periodically for cracks and wear, and should be replaced when necessary.</p>	✓ ✓ ✓	✓ ✓	✓	✓
<p>► Tyres</p> <ul style="list-style-type: none"> Inspect for flat spots and wear If pneumatic tyres check for proper inflation. <p>CAUTION: As with any vehicle, the wheels and tyres should be checked periodically for cracks and wear, and should be replaced when necessary.</p>	✓ ✓	✓ ✓		
<p>► Cleaning</p>	✓		✓	

Troubleshooting Guide Mechanical

Chair veers right	Chair veers left	Sluggish turn or performance	Castor flutters	Squeaks and rattles	Loose-ness in chair	Solutions
✓	✓	✓	✓			Check tyres for correct and equal pressure
		✓	✓	✓	✓	Check for loose castor stem nuts Check all fixtures are secure and tight.
				✓	✓	Check spokes and nipples for tension
✓	✓		✓			Check that both castors contact the ground at the same time

⚠ WARNING

After making adjustments, always make sure that parts are properly tightened BEFORE using the wheelchair.

DO NOT over-tighten hardware attaching to the frame. This could cause damage to the frame tubing.

Maintenance

► Suggested Maintenance Procedures

1. Before using your RGK Wheelchair, make sure all nuts and bolts are tight. Check all parts for damage or wear and replace. Check all parts for proper adjustment.
2. Keep quick / quad-release axles free of dirt to ensure positive locking and proper operation. Refer to adjusting the quick-release axle or adjusting the quad-release axle in Procedure 3 of this manual.
3. Clean and polish Quick-Release Axles once a month – DO NOT OIL.
4. Recommended tyre pressure is listed on the side wall of the tyre.
5. The wheels and tyres should be checked periodically for cracks and wear, and should be replaced when necessary at your authorised dealer.
6. Regularly check for loose spokes in the rear wheels. If loose, have them adjusted at your authorised dealer.
7. Periodically check handrims to ensure they are secured to the rear wheels. Refer to handrim replacement in procedure 5 of this manual.
8. Periodically check castor wheel bearings to make sure they are clean and free from moisture. Refer to replacing your front castor wheels in procedure 7 of this manual.
9. Check upholstery for sagging, rips or tears. Adjust or replace as necessary.
10. The seat upholstery is secured by means of Velcro straps around the frame. The upholstery can easily be removed from the frame by loosening the straps under the seat. Refer to placing your seat upholstery see procedure 2 of this manual.
11. The backrest upholstery is removed by loosening the cover, detaching the centre pad and wings, Refer to adjusting / replacing your upholstery see procedure 1.
12. Wipe down the seat and backrest upholstery with a clean damp cloth. It is important to keep the wheelchair clean, both for your own comfort and longevity of the chair. Clean the frame with a non-abrasive cleaning agent.

⚠ WARNING

Do not use the wheelchair unless it has the proper tyre pressure (P.S.I). DO NOT over inflate the tyres. Failure to follow these suggestions may cause the tyre to explode and cause bodily harm.

► NOTE

It is recommended to clean and disinfect the frame and upholstery frequently.

Store wheelchair in a cool, dry place out of direct sunlight and in original packaging.

⚠ WARNING

Do not reuse single use fasteners. Contact your authorised dealer for more information.

Procedure 1

This Procedure includes the following:
Adjusting / Replacing the Back Upholstery

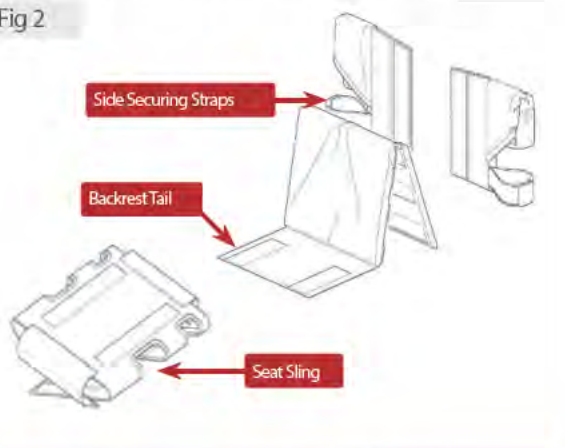
The backrest upholstery is individually adjustable by adjusting either the Velcro straps or Velcro securing wings located under the centre pad.

► Adjusting / replacing the back upholstery

To remove back upholstery, remove cushion, release backrest tail from seat sling, release side securing straps and lift upholstery squarely off.

To re-fit reverse above procedure. See Fig 2.

Fig 2



⚠ WARNING

The position of the footrest, camber tube and rear seat height, as well as the tautness of the back upholstery are directly related to the chairs stability. Any change to one or any combination of the four may cause the chair to decrease in stability. Use EXTREME caution when using a new seating position for the first time.

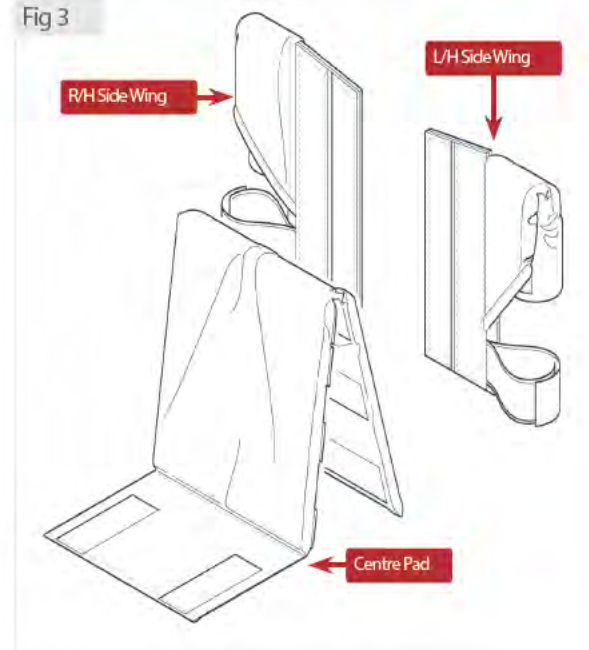
⚠ CAUTION

Velcro used on upholstery may cause property damage if contacted closely.

To adjust tension, pull centre pad up from the rear (side with RGK logo) Re-position side wings to increase/decrease tension and securely re-fit centre pad. See Fig 3.

With strap adjustable backrest upholstery use straps to decrease/increase tension (not illustrated).

Fig 3



Procedure 2

This Procedure includes the following:
Replacing the Seat Cushion; Replacing the Seat Upholstery

► Seat cushion (foam insert) replacement

1. Lift up and remove the existing seat cushion from the seat upholstery. See Fig 4.
2. Open the seat cushion and remove the foam insert.
3. Replace foam insert.
4. Close the seat cushion and reattach to the seat upholstery.

Fig 4



► Seat Upholstery Replacement

1. Remove the seat cushion and back upholstery tail from the seat sling. See Fig 5.
2. Remove rear wheels from chair.
3. Unlatch the fastening flaps that secure the seat upholstery to the chair frame. See Fig 6.
4. Remove the existing seat upholstery, by peeling apart the velcro straps.
5. Install the NEW seat upholstery making sure the fastening flaps hang over the right and left sides of the chair frame.
6. Place the front fastening flaps in front of the cross frame bar and securely latch together.
7. Securely latch the remaining fastening flaps together.
8. Refit rear wheels. See procedure 3
9. Reinstall the back upholstery and seat cushion onto the chair. Refer to adjusting the back upholstery in procedure 1 of this manual.

Fig 5

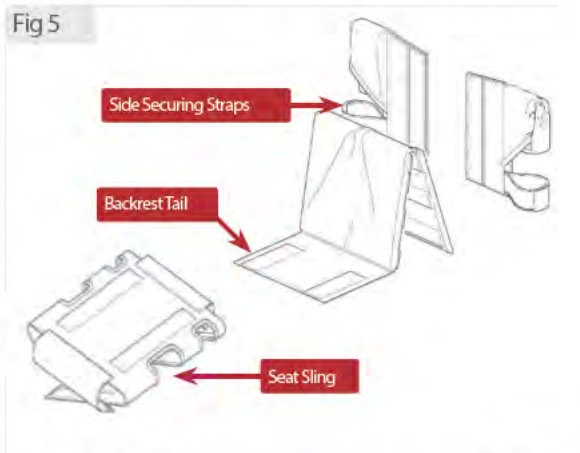


Fig 6



Procedure 3

This Procedure includes the following:
Adjusting the Quick-Release Axle

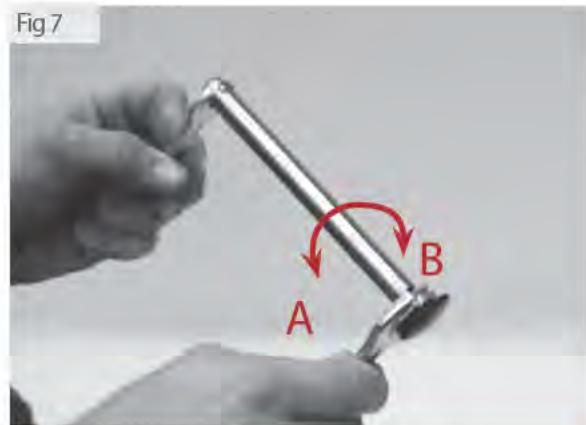
▶ Adjusting the Quick-Release Axle

1. Remove rear wheel and quick-release axle from the chair.
2. Remove quick release axle from the wheel by depressing detent pin/RGK button in the quick-release axle and slide axle through the wheel hub. See Fig 7.
4. Release detent pin/RGK button ensuring that the locking pins are fully released. Increase or decrease end play by adjusting the locknut on the end of the quick-release axle. See Fig 7.
5. Reinstall rear wheel onto the chair.

▶ NOTE

Please note the quick release axle is removable and can be adjusted in length.

Fig 7



A = Lengthen B = Shorten

⚠ WARNING

Any adjustments to your quick release pins – then YOU must ensure your wheels lock on both sides of your wheelchair.

When attaching the rear wheels, always check that they are securely mounted. Pull on the rear wheels to make sure the detent pin / RGK cap of the quick release axle are fully released before operating the wheelchair.

You should NOT be able to pull the rear wheel off.

Procedure 4

This procedure includes the following:

Replacing the Hand Rim; Repairing/Replacing rear wheel, tyre/tube;

⚠ WARNING

If a handrim should become damaged it could lead to injury, and should be replaced.

► Handrim replacement

1. Remove the rear wheel from the chair by depressing the detent/RGK button.
2. Remove all air from the tube by pressing down on the pin in the centre of the valve stem
3. While carefully holding the tyre, tube and rim strip to one side, hold the allen head screws and remove the locknuts that secure the handrim to the rear wheel.
4. Remove the existing handrim.
5. Install the NEW handrim by reversing the above procedures.
6. Inflate the tyre to the correct psi rating on the sidewall of the tyre.
7. Reinstall rear wheel to the chair.
8. Repeat the procedure for the opposite rear wheel if necessary.

► NOTE

It is not necessary to remove tyre and tube when replacing hand rim on either Spider or X-Core Wheels.

► Repairing / replacing rear wheel, tyre & tube

1. Remove the rear wheel from the chair..
2. Remove all air from the tube by pressing down on the pin in the centre of the valve stem.
3. Unscrew the valve securing ring (Presta valves only). Using tyre levers, remove outside tyre bead from wheel rim, unscrew valve securing ring (Presta valves only) remove tube. Remove tyre from rim. Reverse procedure to fit tyre/tube.
4. Inflate the tyre to the correct psi rating on the side wall of the tyre.
5. Reinstall rear wheel to the chair.
6. Repeat the procedure for the opposite rear wheel if necessary.

► NOTE:

If replacing the rear wheels or tyres with a different size than what was originally on the chair please note this will raise or lower the rear of the chair and may have an adverse effect on your balance.

Please contact your dealer or mobility advisor for additional advice.

⚠ WARNING

Tyre **MUST** be deflated before any disassembly procedures are performed.

⚠ WARNING

DO NOT inflate tyre until it is completely assembled.

⚠ WARNING

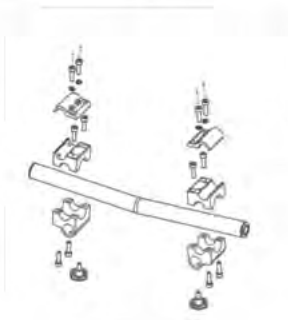
Make sure the detent/RGK button of the quick release axle is fully released **BEFORE** operating the wheelchair.

Procedure 5

This procedure includes the following:
Adjusting or Replacing your camber bar

► Adjusting / replacing the camber bar

This procedure applies to two different camber bar types, both requiring a 5mm allen key



1. Remove the rear wheels from the chair.
2. Loosen **ONLY** the allen head screws that secure the adjustable camber bar to the chair frame.

► NOTE:

Ensure the allen head screws are loose enough to allow the adjustable camber bar to move freely along the chair frame to avoid scratching the chair frame.

3. Move the adjustable axle position camber bar forward or back along the chair frame to adjust. Lengthening the wheelbase will increase the stability and maintain standard manoeuvrability of the chair. Shortening the wheelbase will increase the manoeuvrability and distribute additional weight onto the rear wheels.
4. Measure both attaching points of the adjustable axle position camber bar from both back posts to ensure the adjustable camber bar is positioned at a 90° angle to the chair frame.
5. Securely tighten the allen head screws that secure the adjustable camber bar to the chair frame.
6. Reinstall the rear wheels onto the chair.
7. Move the chair before using to make sure there is no excessive drag to either side.

► NOTE:

If drag to either side occurs, repeat the above procedures until the chair rolls correctly.

⚠ WARNING

Tyre **MUST** be deflated before any disassembly procedures are performed.

⚠ WARNING

DO NOT inflate tyre until it is completely assembled.

⚠ WARNING

Make sure the detent pin of the quick/quad release axle is fully released **BEFORE** operating the wheelchair.

⚠ WARNING

The position of the footrest, camber bar, as well as the tautness of the back upholstery, are directly related to the chairs stability. Any change to one or any combination of the three may cause the chair to decrease in stability. Use **EXTREME** caution when using a new seating position for the first time.



A = Rearward / Lengthen
B = Forward / Shorten

Procedure 6

This procedure includes the following:
Replacing the Front Castor Fork assembly and Castor Wheels

► Replacing Fork Assembly

1. Remove cap.
2. Remove the bolt and locknut that secure the front fork assembly.
3. Remove the front castor fork assembly using 19mm socket spanner downwards through the castor housing noting any washer sequence.
4. Install the NEW front castor fork and reverse steps 2 - 1 to refit.
5. Repeat the procedure for the opposite front castor if necessary.

► Replacing Front Castor Wheels

1. Using two 4mm Allen keys, remove 1 of the 2 screws that locate the castor axle.
2. Remove the castor axle by sliding it out. Remove the castor wheel and spacers from the castor fork.
3. Install the NEW castor wheel, castor axle and spacers to the castor fork, by reversing STEPS 1 & 2.

► NOTE:

Bearings must be fitted by an authorised dealer. Failure to do so will result in invalid warranty on the parts.

△ CAUTION:

RGK DO NOT recommend replacing the front castor forks or castor wheels with a different size other than what was originally supplied on the chair.

By changing to a different size castor fork or castor wheel will have an adverse effect on the running of the chair and the end users balance.

Procedure 7

This Procedure includes the following:
Adjusting the footrest height / angle, and replacing the footrest.

► Adjusting / replacing the footrest

1. Loosen the four allen head screws that secure the footrest to the chair frame via clamps. (A, Fig 9)
2. Remove existing and install NEW footrest.
3. Position the NEW / existing footrest to a determined height.
4. Tighten all allen head screws that secure the footrest to the chair frame.

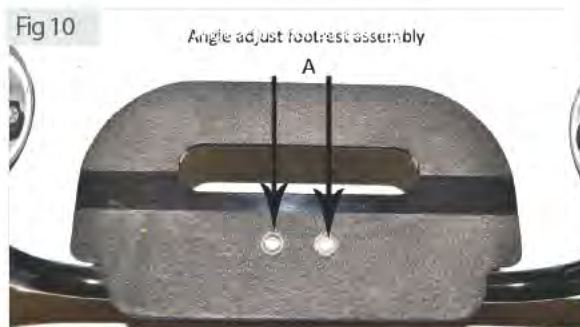


▲ WARNING

The position of the footrest, camber tube and rear seat height, as well as the tautness of the back upholstery are directly related to the chair's stability. Any change to one or any combination of the four may cause the chair to decrease in stability. Use EXTREME caution when using a new seating position for the first time.

► Angle adjusting the footrest platform

1. To adjust the angle on your angle adjustable footrest. Loosen two button head allen screws "A" (see fig 10) on top of foot platform.
2. Rotate until desired angle is achieved.
3. Securely tighten two button head allen screws.



▲ WARNING

The footrest assembly MUST be at least 40mm above the ground/floor to avoid hitting protruding objects when using this wheelchair.

▲ WARNING

Do not stand on the footrest/footplate! Even if the user is sitting in the chair, there is still a risk of tipping over and injury.

▲ WARNING

When transferring, do not stand on the footboard, there is a risk of tipping over and injury.

Procedure 8

This Procedure includes the following:
Adjusting the Anti-Tipper

► Adjusting the Anti-tipper

1. Loosen the allen head screw that secure the anti-tip wheels to the anti-tip bars.
2. Adjust the height of the anti-tip wheels to between 40-50mm.
3. Securely tighten the allen head screws that secure the anti-tip wheels to the anti-tip bars.

⚠ WARNING

RGK strongly recommends ordering the anti-tips as an additional safeguard for the wheelchair user.

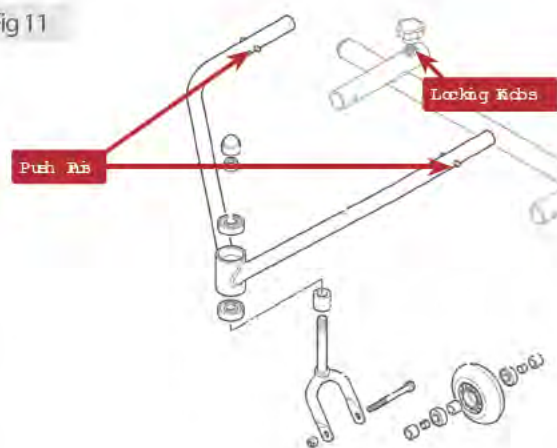
► NOTE

If the rear wheel size is changed or the position of the adjustable axle camber bar is changed, the anti-tippers **MUST** be readjusted to maintain a 40-50mm clearance between the bottom of the anti-tipper wheels and the floor.

► Replacement (basketball style)

1. Loosen the 2 locking knobs, press in the two push pins on each side that attach the existing anti-tipper to the camber bar and remove.
2. Adjust the new anti-tipper to the correct height.
3. Insert the new anti-tipper into the camber bar.
4. Tighten the locking knobs.

Fig 11



Warranty

Product Grouping

Sports models

Warranty

This warranty is extended only to the named purchaser/user of the product. This warranty gives you specific legal rights and you may also have other legal rights. RGK warrants the main frame to be free from defects in materials and workmanship for a period of 2 years of the original purchaser/user from the date of purchase from RGK Wheelchairs Ltd or a dealer with a copy of the invoice required for coverage under this warranty.

All Integrated/welded components parts included, but limited to:

- Integrated/welded camber bars
- Integrated/welded side guards
- Integrated/welded footrest
- Integrated pushing handles

Are supplied with a 2 year warranty.

All component parts including, but not limited to:

- camber tubes
- folding backrest
- pushing handles
- castor forks
- anti-tippers
- sideguards & armrests
- wheel components
- upholstery and strapping
- wheel locks are supplied with 12 month warranty.

All component parts including, but not limited to:

- bushings and bearings
- tyres and inner tubes
- Adjustable height footrest, if 3rd party devices are fitted. i.e. Free Wheel
- push handle grips, foam parts and plastic/rubber coated parts are supplied without warranty.

All components parts included, but not limited to:

- Other 3rd part supplied equipment, either powered assist, propulsion systems, specialist cushions will be referred back to the manufactures warranty period.

Expectation

If within the stated warranty period and such product shall be proven to be defective, such product shall be repaired or replaced at RGK's option and cost. This warranty does not include any third party labour or shipping charges incurred in the repair or replacement of any such product. RGK'S sole obligation and your exclusive remedy under this warranty shall be limited to such repair or replacement.

Contact

For warranty service, please contact the dealer from whom you purchased your RGK product. In the event you do not receive satisfactory warranty service, please contact RGK directly by the methods shown below. Provide the dealer's name, address and the date of purchase, indicate nature of the defect and, if the product is serialized, indicate the serial number. Do not return products to our factory without our prior consent.

Limitations and Exclusions

The foregoing warranty shall not apply to serial numbered products if the serial number has been removed or defaced, products subjected to negligence, accident, improper operation, maintenance or storage, commercial or institutional use, products modified without RGK'S express written consent, including, but not limited to:

- modification through the use of unauthorized parts or attachments
- products damaged by reason of repairs made to any component without the specific consent of RGK

- a product damaged by circumstances beyond RGK's control (such evaluation will be solely determined by RGK)
- problems arising from normal wear
- failure to adhere to the product use instructions
- the use of any approved power assist or propulsion systems(eg. Handcycles) shall reduce the warranty period for the main frame to 24 months
- the use of additional 3rd party equipment ie Free Wheel attachment, unless incorporated at design and build stage.

Summary

The foregoing warranty is exclusive and in lieu of all other express warranties. Implied warranties, if any, including the implied warranties of the merchantability and fitness for a particular purpose, shall not extend beyond the duration of the expressed warranty provided herein and the remedy for violations of any implied warranty shall be limited to repair of the defective frame pursuant to the terms contained herein. RGK shall not be liable for any consequential or incidental damages whatsoever.

- Please remember to complete your Warranty Card and return it. Thank You.
- Prière de bien vouloir renseigner le formulaire de garantie. Merci.
- Si prega ricordarsi di completare il questionario per le gararisia. Grazie.
- Bitte vergessen sie auch nicht, den Garantie-Fregebogen auszufüllen. Vielen Dank.
- No se olvide de rellenar su cuestionario de garantía. Gracias.

RGK Wheelchairs Ltd
Units 8b/c, Ring Road, Zone 2, Burntwood Business Park, Burntwood, Staffordshire, WS7 3JQ, England
Tel: +44 (0)1543 670077 Fax: +44 (0)1543 670088
E-mail: info@rgk-wheelchairs.co.uk

Please make a reference of your chair model and serial number (found on sticker on your camber bar) and quote this whenever calling the office regarding your chair. For example if you would like to order replacement parts; we will be able to find out the ones you have and also alternatives that fit your chair.

Chair Model:

Serial No:

Head office address...

Unit 8 A/B/C Ring Road Zone 2,
Burntwood Industrial Estate,
Burntwood, Staffordshire, WS7 3JQ

- ▶ Call: +44(0)1543 670 077
- ▶ Fax: +44(0)1543 670 088
- ▶ Email: info@rgklife.com